



**New in our stock:  
waterproof lamp leads from ARCADIA (IP64 + 67)**

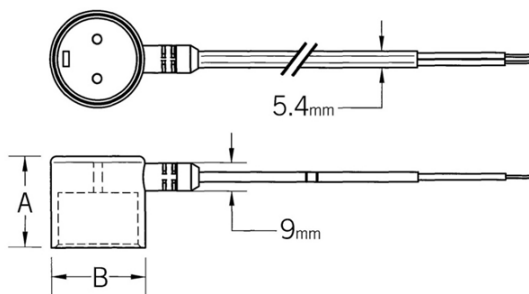
A range of IP67 water-proof shrouded fluorescent lampholders which are available in a number of standard lengths or can be supplied to your specified cable lengths. Our lampholders are specified by many of the major oil companies for their forecourts.

These shrouded lamp holders are constructed from Polyvinyl Chloride (PVC) and Polycarbonate. The maximum rated temperature is 105°C with a continuous rating of 85°C

**APPLICATIONS:**

- External signage
- Petrol forecourts
- Plant growing environments
- Kitchen and bathrooms

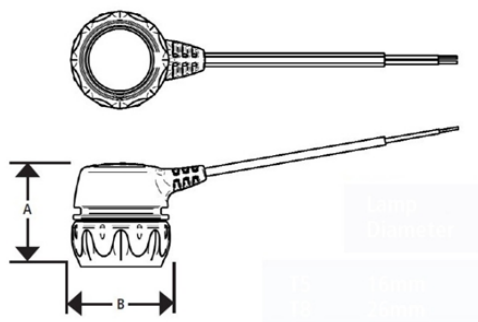
**Dimensions IP64:**



	Lamp Diameter	A	B
T5	16mm	28mm	21mm
T8	26mm	30mm	32mm
T12	38mm	32mm	42mm



**Dimensions IP67:**



	Lamp Diameter	A	B
T5	16mm	28mm	21mm
T8	26mm	30mm	32mm



Rated voltage: 2A - 5000V  
 Number of cores: 2  
 Conductor: 03VVH2 2x0.5mm<sup>3</sup>  
 Black  
 Cord approved by FIMKO