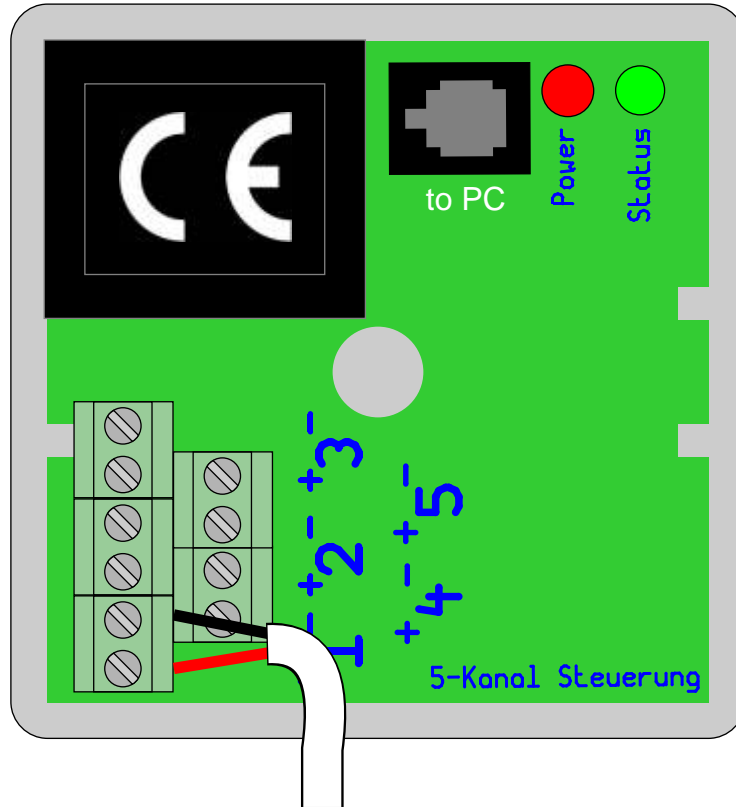


5-Channel Controller
programmable from PC via serial interface



Control cable to the 0...10 V devices

The controller has five outputs with a positive and earth terminal each. Each output supplies an active 0-10 V signal. The outputs are not galvanically isolated, i.e. the earth terminals are all at the same potential and can be connected to each other.

To program an animated sequence, connect the controller to the mains voltage (230 V, 50 Hz) using the pre-installed mains cable, and use the provided "western" cable and the programming adapter to connect the controller to a PC. Using the provided software, the animation can be modified and transmitted to the controller. The animation is stopped during the transmission, and re-started automatically after the transmission is complete.

As soon as the controller is connected to the mains voltage, the red LED ("Power") is illuminated. The green LED ("Status") flashes when the controller is operating.